

WeatherMaster Storage Cart

This cart is specifically designed for use with WeatherMaster stanchions whose 19" diameter bases do not fit on other types of cart. Using a unique "standing and hanging post" storage design the cart can accommodate up to 12 WeatherMaster stanchions and still fit through standard doorways. Two steering wheels provide excellent maneuverability and wheel locks give stability while the cart is being loaded and unloaded.



Model STCART12W

► SPECIFICATIONS

Capacity	WeatherMaster 250 / 300 – 12 WeatherMaster 335 – 10
Height	55" / 1.4m empty, 58" / 1.47m loaded
Width	30 3/4" / 780mm (empty and loaded with WeatherMaster 250 & 300 posts) 34" / 864mm (loaded with WeatherMaster 335 posts*)
Length	71" / 1.8m
Weight	125lbs / 57kg
Packaging	Ships flat packed, assembly required



Fits through standard doorways

*Note: Will not fit through standard doorways when loaded with WeatherMaster 335 posts.

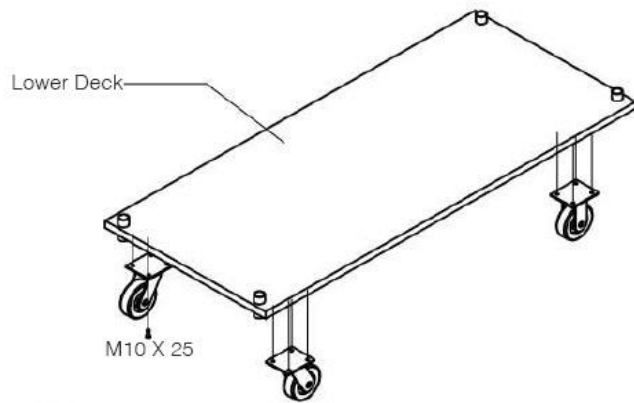


Overlap stacking eliminates edge overhang

For more information:

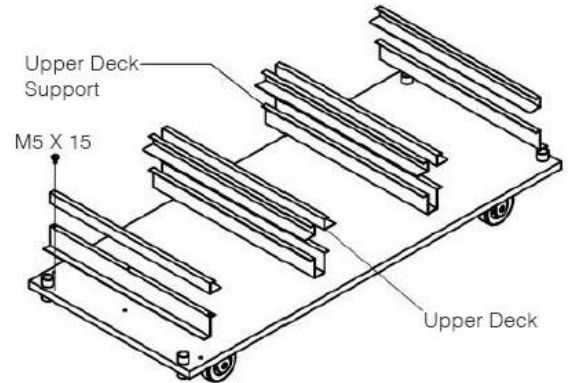
Call: 877-400-0777 • Fax: 877-414-0777
Order Online: www.CrowdControlDIRECT.com

WeatherMaster Storage Cart Assembly Instructions



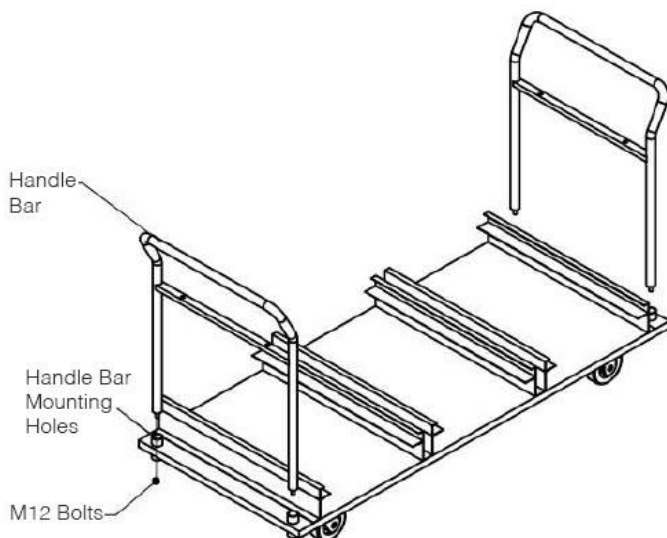
1

Attach the 4 wheels to the bottom of the lower deck using the M10x25 bolts making sure the wheel plates are facing in the correct direction. Tighten and check all bolts.
NOTE: There are two locking wheels and two standard wheels. Attach both locking wheels at one end, not diagonally across from each other.



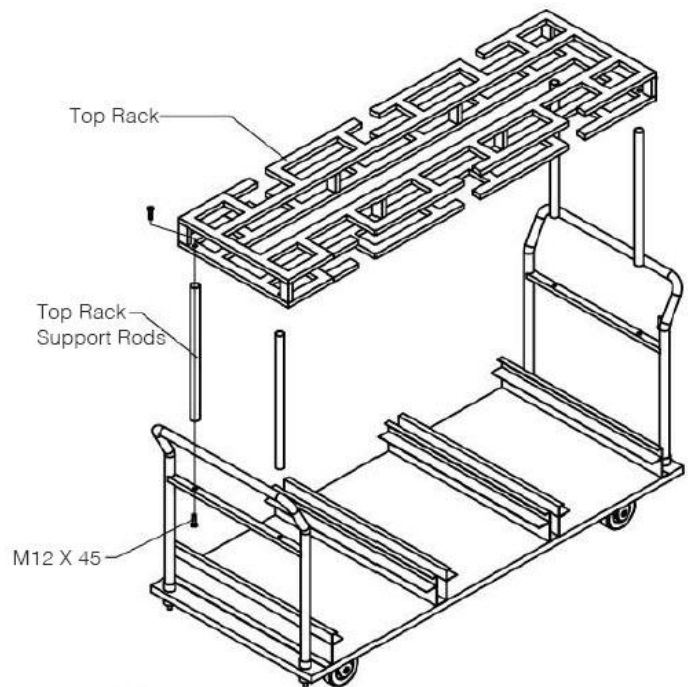
2

1. Set the lower deck on its wheels
2. Using M5x15 bolts attach the upper decks to the deck supports.
3. Tighten and check all bolts.



3

Fit the handlebars into the handlebar mounting holes at each end of the lower deck and attach using M12 bolts. Tighten and check all bolts.



4

1. Attach the four top rack support rods to the handlebar cross beams using M12 X 45 bolts.
2. Position the top rack onto the four support rods and attach using M12 X 45 bolts. Tighten and check all bolts.

! Check that all bolts are tight before use

WeatherMaster Storage Cart Loading Instructions

WeatherMaster 250 & 300



1. On one side of the cart load three posts upside down into the receiver slots with the bases **above the upper rail**. Slide each post to the side so it is held securely in the receiver slot.

2. On the same side load 3 posts along the length of the cart standing upright on the **upper decks** beneath the hanging posts.

3. On the other side of the cart load 3 posts upside down into the receiver slots with the bases **between the upper and lower rail**. Slide each post to the side so it is held securely in the receiver slot.

4. On the same side load 3 posts along the length of the cart standing upright on the **lower deck** beneath the hanging posts.

WeatherMaster 335



1. Load 4 posts upside down into the center slot of the top rail.

2. On each side of the **lower deck** load 3 posts upright along the length of the cart. Bases should be positioned with the flat edges meeting in the center of the deck.

Note: Bases on both sides of the cart will overhang the deck by about 1"